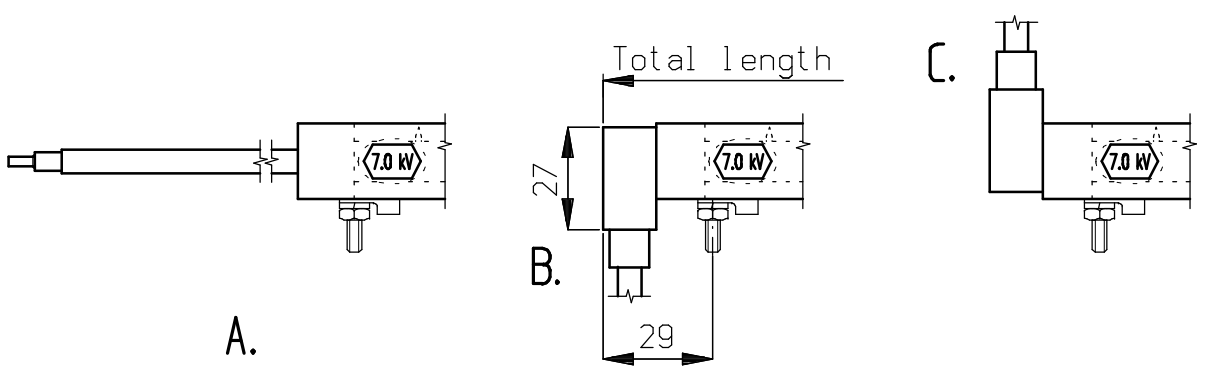
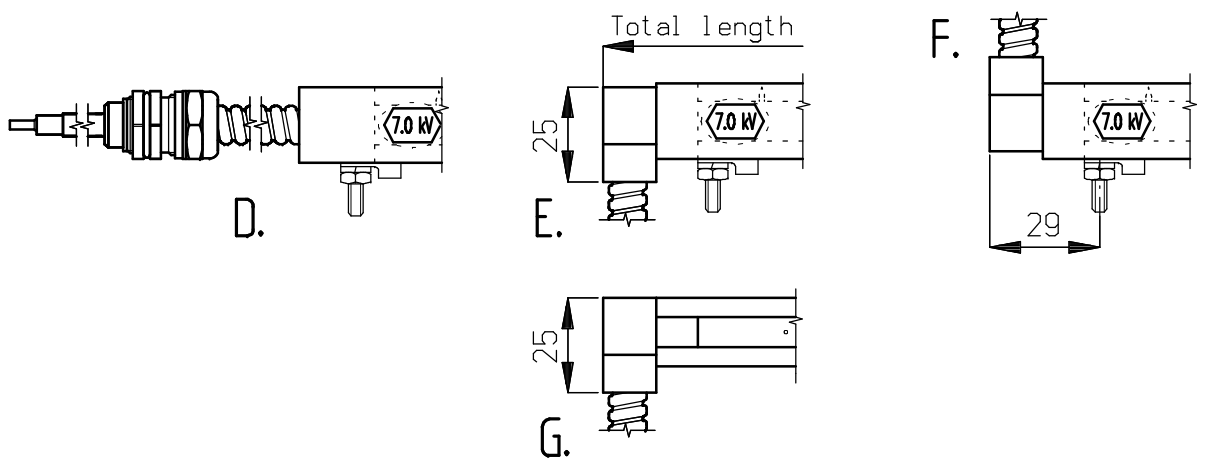


Cable exit options:

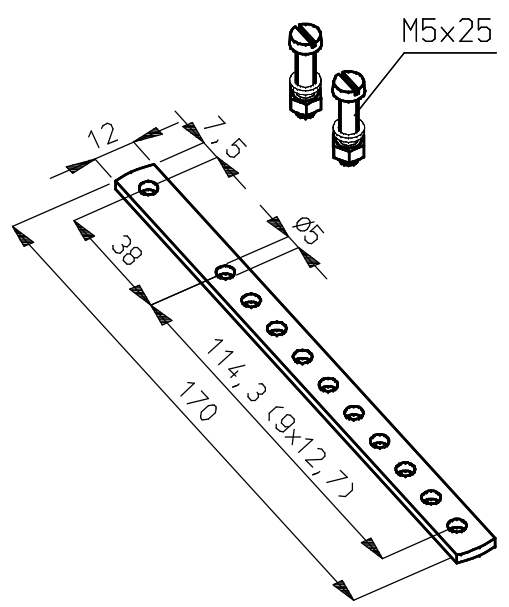
(With standard HV-cable)



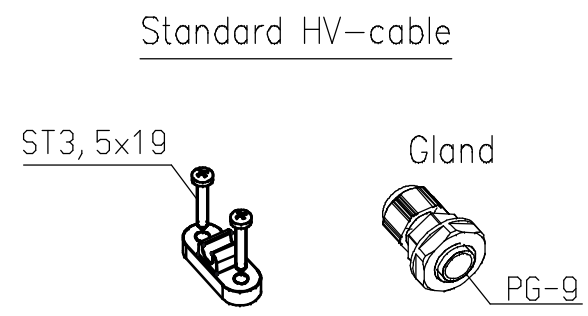
(With shielded HV-cable)



Mounting materials included



Mounting bracket
Each mounting stud 1 bracket (include screws)



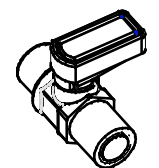
Amount of cable clamps = (cable length(m)x4)-1

Shielded HV-cable

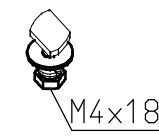


Amount of cable clamps = (cable length(m)x2)-1

Bar length > 2m



Second air valve (* on this side)



Extra loose mounting stud

	Name: Anti Static Bar type MEB-A (+ airtube)				Drawn: MVN	Part no.: -
	CAD generated NOT updated	Dimensions in mm	Date: 22-08-2011	A3 M: 1:1	ECN2011-070	Check: -
www.simco-ion.nl Tel: +31 (0)573 288333						Dwg. no.: 15010000/A